

# GAS FIREPLACES



# INDEX

G A S F I R E P L A C E S

---

About us

---

**2**

Why Planika?

---

**5**

Flue systems

---

**6**

Safety

---

**7**

Technology

---

**9**

Custom options

---

**11**

Sinatra

---

**13**

Versal

---

**21**

Valentino

---

**29**

Monroe

---

**35**

Galio

---

**41**

Galio Fire Pit

---

**47**

Product Comparison

---

**50**

Technical drawings

---

**52**

# ABOUT US

---

Planika would like to introduce you to the amazing world of modern gas fireplaces. We join the warmth of natural fire with the advanced and safe technology that Planika offers, creating unique and highly functional fire solutions. It allows us to achieve the effect of dancing flames in their natural golden colour. With wide expertise in designing and developing advanced fireplaces, Planika gained recognition all around the world.

Today, Planika is selling products in more than 80 countries, achieving more and more appreciation among architects and clients of the private and commercial sector. The fireplaces are designed and developed by a professional group of engineers at Planika's laboratory, equipped with the most advanced measuring and testing instruments. Each product is carefully tested prior to selling it, ensuring the best quality and safety of Planika's fireplaces.

We do believe that Planika's success lies in our approach to fire design that is based on a constantly changing technology and solutions. It allows us to create truly advanced fireplaces. Extensive technical knowledge and experience taught us to design every product from start to finish. By selecting the highest quality materials, components and technological solutions, Planika has come up with fireplaces that meet the most restrictive requirements of architects and designers. To provide the finest and reliable products, our specialists constantly keep updating and modernizing the implemented technologies.

Due to this innovative approach to the needs of our customers, Planika has become the world leader in designing, manufacturing and distributing advanced automatic gas and bioethanol fireplaces for both commercial and residential spaces.

**Trust our technology and find out for yourself!**









# WHY PLANIKA?

WHY TO CHOOSE US?

---

## WORLDWIDE EXPERIENCE

- Over 15 years on the international market
- Leadership in the fireplace industry
- Numerous projects on every continent
- Appreciation in over 80 countries
- Top private and commercial projects (Marriott, Hilton, Kempinski and many more)

## ENVIRONMENT FRIENDLY

- No harmful by-products
- No smell, smoke and ash
- Energy efficient
- Consistent heat supply
- Closed or open combustion system

## CUSTOMIZATION

- Custom length and configuration
- Versatile installation options
- Designed to fit in any interior conception
- LPG or natural gas supplied
- Different finish and glazing options
- Help from the Projects Department

## ADVANCED SAFETY FEATURES

- Multiple safety sensors: gas, CO and seismic activity
- Child lock
- Advanced thermostat for constant heat
- Service reminder
- Automatic ignition
- Certified solutions
- Draft interrupter

## CONVENIENCE OF USE

- Smart Home System compatible
- Remote control
- Mobile device control (mobile application via Wi-Fi)
- 15 levels of flame height
- Eco flow mode
- Modular structure
- MI System (Modular Ignition System)

## UNIQUE DESIGN

- Anti-reflective glass
- Linear-shape/campfire /fire pit burners
- Adjustable frame
- Authentic-looking decorative logs and accessories
- LED / ambient lighting
- Warm, glowing flames

# FLUE SYSTEMS

## BALANCED FLUE SYSTEM

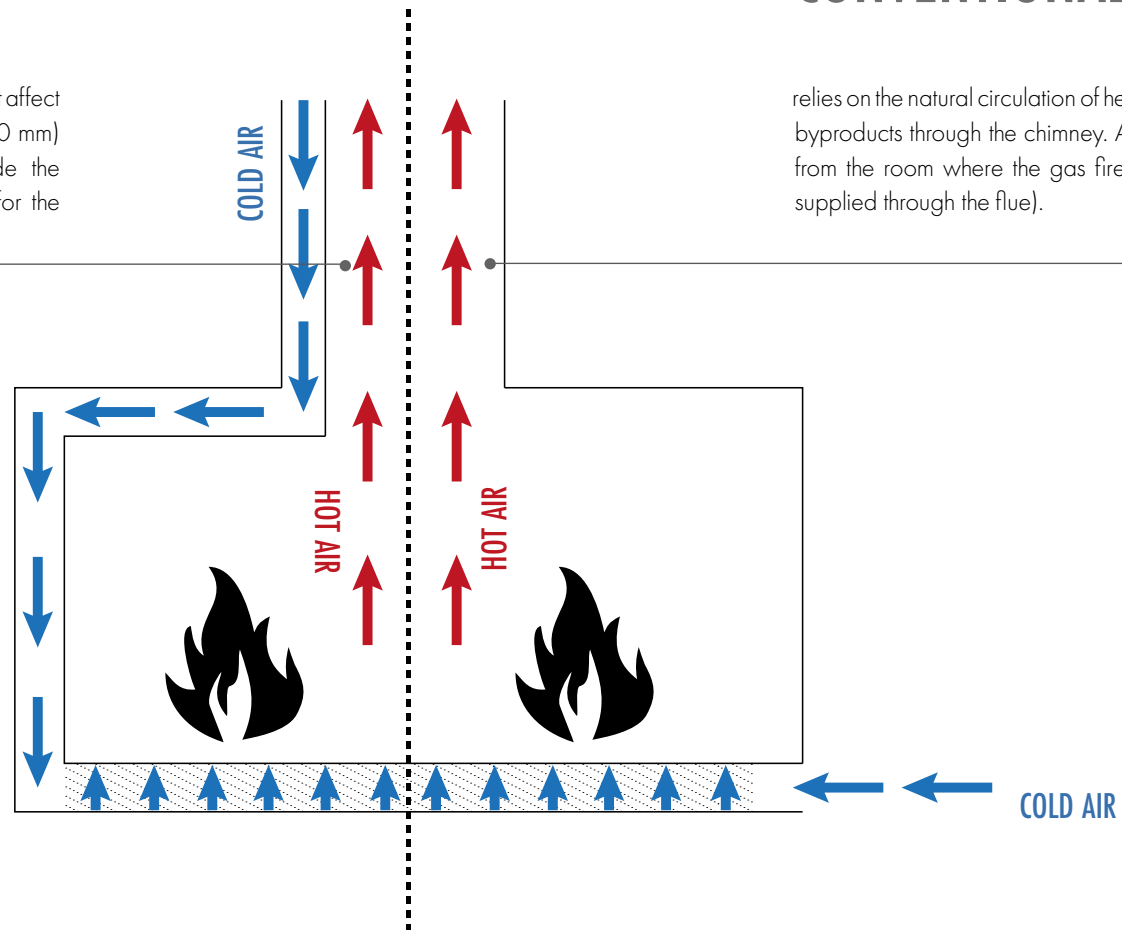
VALENTINO & MONROE

provides a hermetically sealed burning process which does not affect the air in the room. The concentric structure (Ø200 mm/130 mm) allows for extraction of any combustion products outside the building (inner pipe Ø130 mm) and supplying fresh air for the burning process (outer pipe Ø200 mm) at the same time.

## CONVENTIONAL FLUE SYSTEM

SINATRA & VERSAL

relies on the natural circulation of heated air to extract the combustion byproducts through the chimney. Air for the combustion is supplied from the room where the gas fire or stove is installed in (it is not supplied through the flue).



# SAFETY

---

## BURNING CONTROL SYSTEM



The advanced electronic components combined with multiple safety sensors, monitor the operation of the fireplace and turn the device off in case any disfunction is detected.

- a) CO sensor - an advanced safety feature aiming to detect any leaks in the flue system.
- b) Gas sensor - in case any gas leaks are detected, the main valve is closed, turning the fireplace off immediately.
- c) Seismic activity sensor - to ensure the highest level of safety, the fireplace is automatically deactivated if any shakes are detected.
- d) Draft interrupter - turns off the fireplace automatically in case the airflow is reversed.

## FLAME CONTROL



An ionizing electrode controls the flame - should it unexpectedly go out, the gas supply will be automatically disconnected.

## CHILD LOCK



In order to be turned on, the device requires a fixed sequence of buttons to be pushed. This feature minimizes the risk of unwanted activation of the fireplace.

## CERTIFIED CONSTRUCTION



Planika's products and components have successfully passed extensive tests carried out by the leading certification institutes meeting the most demanding European safety and quality requirements.

## SERVICE REMINDER



Once a year, the fireplace automatically informs the user about the scheduled service. The reminder helps to maintain proper device operation at all times.

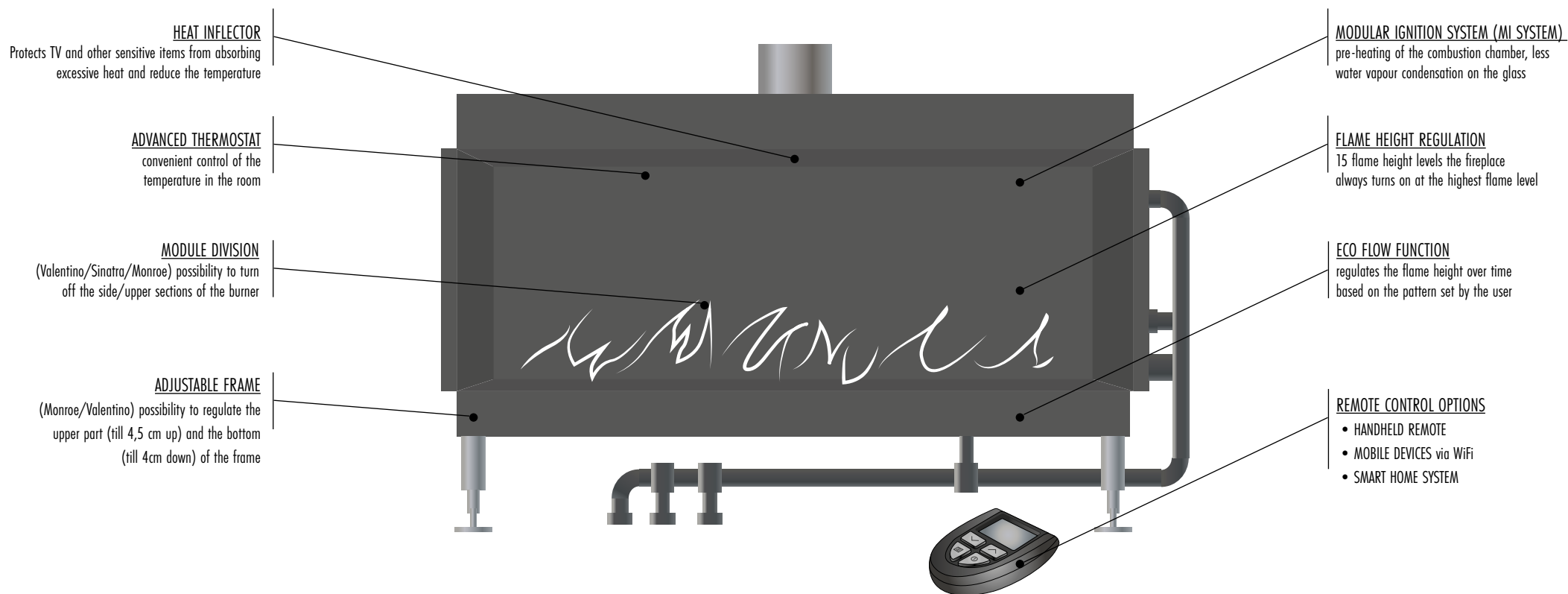






Sintra Island 2000

# TECHNOLOGY



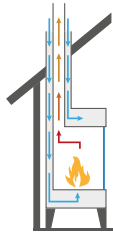


Sinatra Tunnel 2000

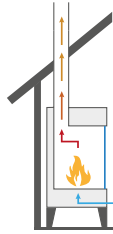
# CUSTOM OPTIONS

SOLUTIONS WE OFFER

## FLUE TYPE



BALANCED FLUE SYSTEM  
(VALENTINO & MONROE)



CONVENTIONAL FLUE SYSTEM  
(SINATRA & VERSAL)

## FUEL TYPE

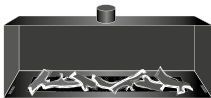


NATURAL GAS



LPG GAS

## GLAZING OPTIONS



FRONT



DOUBLE SIDED  
(CORNER)



THREE SIDED



ROOM DIVIDER



ISLAND



TUNNEL

## OTHER CUSTOM OPTIONS



CUSTOM LENGTH  
(800-2400 MM PER ONE UNIT)



CUSTOM SHAPES



GLAZING/NO GLAZING  
GLASS HEIGHT 400 - 1200 MM

# SINATRA

THE POWER OF CUSTOM





# SINATRA

CUSTOM / CONVENTIONAL FLUE SYSTEM

## FEATURES

Linear-shape burner	Child lock	Automatic ignition	MI System
15 levels of flame height	Eco flow mode	CE Certified	Wi-Fi (mobile device control)
LPG or Natural Gas powered	Module division mode	Ceramic or anti-reflective glass	
CO sensor	Remote control	No glazing option	
Gas sensor	Smart Home System compatible	Bespoke sizes	

## TECHNICAL DATA

Front glass length [mm]	1200		1600		2000		2400	
Fuel option	NG (G20/G25)	LPG (G30/G31)	NG (G20/G25)	LPG (G30/G31)	NG (G20/G25)	LPG (G30/G31)	NG (G20/G25)	LPG (G30/G31)
Nominal Heat Input (Hi) [kW]	10,31	9,51	14,95	14,26	19,74	19,01	19,75	19,96
Gas consumption [m³/h]	max. 1,09	-	max. 1,58	-	max. 2,09	-	max. 2,09	-
Gas consumption [kg/h]	-	max. 0,75	-	max. 1,12	-	max. 1,50	-	max. 1,57
Interior	Matt black painted steel / optional rear lining: black ceramic glass (high gloss)							
Flue system	Conventional flue							

## GLAZING OPTIONS



FRONT (F)



LEFT-FRONT / FRONT-RIGHT (LF/FR)



LEFT-FRONT-RIGHT (LFR)



ROOM DIVIDER



TUNNEL



ISLAND



Sinatra Island 1600



Sinatra FR 800





Sinatra Tunnel 1200

# SINATRA

F / LF / FR / LFR / ISLAND / TUNNEL / ROOM DIVIDER

1200, 1600, 2000, 2400, CUSTOM

## CHIMNEY

Custom length and colour

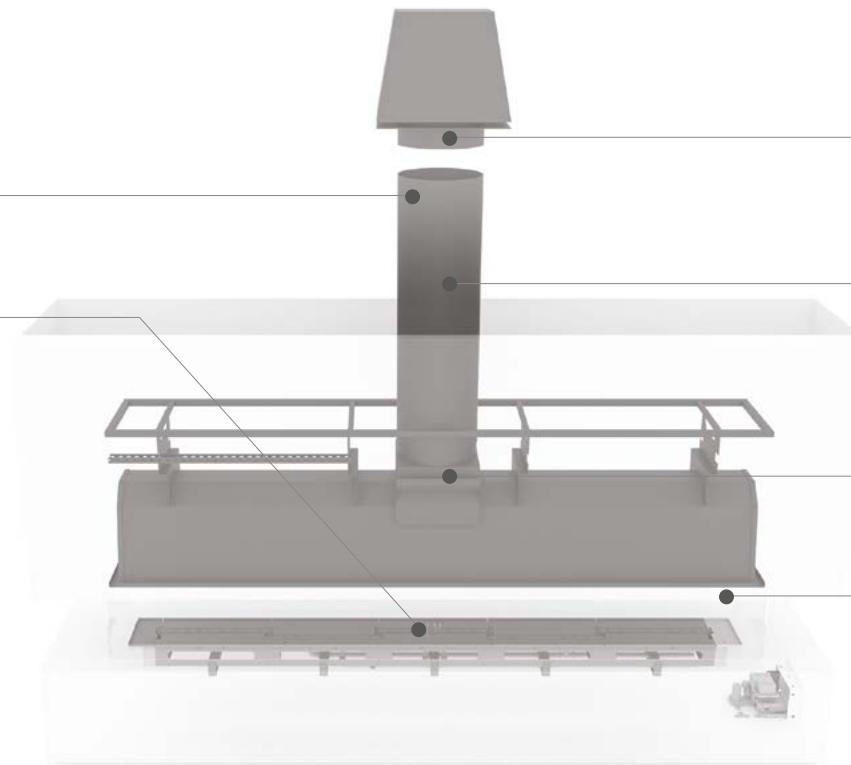
## OPTIONAL ACCESSORIES



- Decorative black diamond stones
- White pebbles
- Black glass embers



- LED lighting + crystal diamond embers
- LED lighting + crystal diamond embers + ceramic logs
- Vermiculite + ceramic logs



OPTIONAL FAN

Ø 200 or 300 mm

CONVENTIONAL FLUE

DRAFT INTERRUPTOR

CERAMIC OR ANTI-REFLECTIVE GLASS

No glazing option  
Standard height 400 mm  
Custom height 400-1200 mm



Sinatra LFR 600



Sintra LFR 1600

# VERSAL

ECO ALTERNATIVE



Versal Cassette 600

# VERSAL

STANDARD / CONVENTIONAL FLUE SYSTEM

## FEATURES

15 levels of flame height	Convectional fan	Eco flow mode	CE Certified
LPG or Natural Gas powered	Ambient lighting	Remote control	Ceramic glass
CO sensor	Easy installation to existing chimneys	Smart Home System compatible	Wi-Fi (mobile device control)
Gas sensor	Child lock	Automatic ignition	

## TECHNICAL DATA

Length [mm]	400		600		750		900	
Fuel option	NG (G20/G25)	LPG (G30/G31)	NG (G20/G25)	LPG (G30/G31)	NG (G20/G25)	LPG (G30/G31)	NG (G20/G25)	LPG (G30/G31)
Nominal Heat Input (Hi) [kW]	3,0	3,8	4,6	4,9	5,3	6,0	7,5	7,6
Gas consumption [m <sup>3</sup> /h]	max. 0,32	-	max. 0,49	-	max. 0,56	-	max. 0,79	-
Gas consumption [kg/h]	-	max. 0,3	-	max. 0,39	-	max. 0,47	-	max. 0,6
Interior	Matt black painted steel / optional lining: black ceramic glass (high gloss) or brick panel							
Flue system	Convectional flue							

## OPTIONS





Versal Freestanding with Woodbox 400



Versal Cassette 600





Versal Cassette 750



Versal Freestanding with Woodbox 400



Versal Cassette 600 with Frame





# VALENTINO

LONG LINE OF REAL FIRE



# VALENTINO

STANDARD / BALANCED FLUE SYSTEM

## FEATURES

Linear-shape burner	Seismic activity sensor	Smart Home System compatible	Modular burner
Anti-reflective glass	Child lock	Wi-Fi (mobile device control)	Natural-looking accessories
LPG / Natural Gas powered	Advanced thermostat	15 levels of flame height	Heat inflector
CO sensor	Service reminder	Eco flow mode	MI System
Gas sensor	Remote control		

## TECHNICAL DATA

Front glass length [mm]	1000		1300	
	Natural gas (G20/G25)	LPG (G30/G31)	Natural gas (G20/G25)	LPG (G30/G31)
Nominal Heat Output [kW]	6,4	6,7	8,5	7,4
Nominal Heat Input (Hi) [kW]	8,5	8,9	11,3	9,9
Gas consumption [m <sup>3</sup> /h]	0,25-0,9	-	0,29-1,2	-
Gas consumption [kg/h]	-	0,2-0,7	-	0,2-0,78
Interior	Matt black painted steel / optional rear lining: black ceramic glass (high gloss)			
Flue system [mm]	Concentric flue 200/130			

## GLAZING OPTIONS



FRONT (F)



LEFT-FRONT (LF)



FRONT-RIGHT (FR)



LEFT-FRONT-RIGHT (LFR)



Valentino F 1300



Valentino LFR 1300





Valentino F 1000



Valentino FR 1300

# MONROE

---

## CAMPFIRE BURNER



Valentino F 1000

# MONROE

STANDARD / BALANCED FLUE SYSTEM

## FEATURES

Campfire burner  
Anti-reflective glass  
LPG / Natural Gas powered  
CO sensor  
Gas sensor

Seismic activity sensor  
Child lock  
Advanced thermostat  
Service reminder  
Remote control

Smart Home System compatible  
Wi-Fi (mobile device control)  
15 levels of flame height  
Eco flow mode

Modular burner  
Natural-looking accessories  
Heat inflector  
MI System

## TECHNICAL DATA

Front glass length [mm]	900	
Fuel option	Natural gas (G20/G25)	LPG (G30/G31)
Nominal Heat Output [kW]	8,3	9,2
Nominal Heat Input (Hi) [kW]	11,0	12,2
Gas consumption [m <sup>3</sup> /h]	0,22-1,2	-
Gas consumption [kg/h]	-	0,20-0,96
Interior	Matt black painted steel / optional rear lining: black ceramic glass (high gloss) or brick panel	
Flue system [mm]	Concentric flue 200/130	

## GLAZING OPTIONS



FRONT (F)



LEFT-FRONT (LF)



FRONT-RIGHT (FR)



LEFT-FRONT-RIGHT (LFR)



Monroe F 900



Monroe F 900



Monroe LFR 900



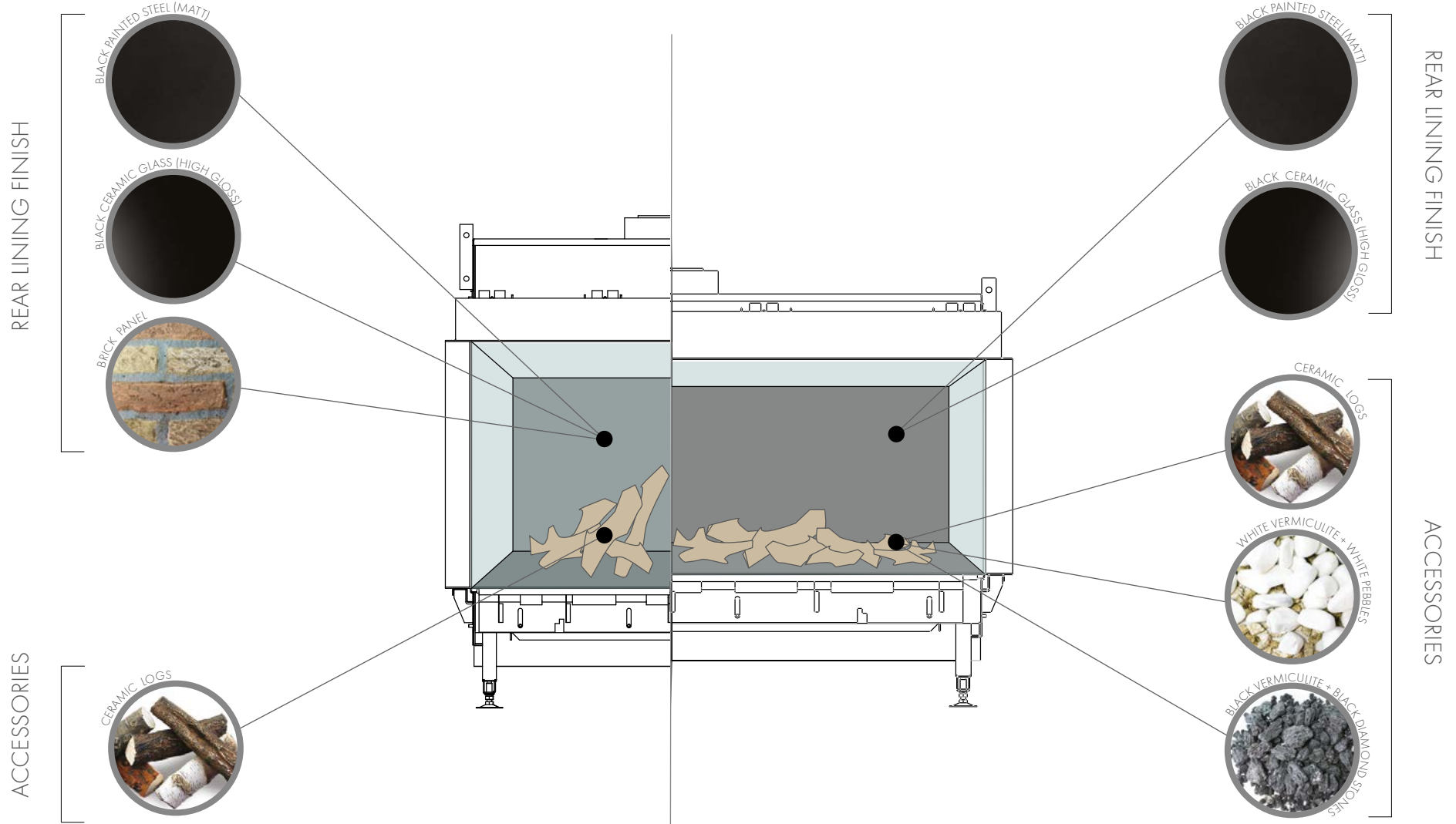
Monroe LF 900

# MONROE

FINISHING OPTIONS

# VALENTINO

FINISHING OPTIONS





# GALIO

OUTDOOR LINE OF FIRE



Galio Insert (Custom)

# GALIO

CUSTOM AND STANDARD

## FEATURES

For outdoor use	LPG/NG powered	Possibility of joining modules	Wi-Fi (mobile device control)
Easy installation	No electrical connection required	Easy start button	Remotely controlled
Flame height regulation	CE certified	Smart Home System compatible	
Linear-shape burner	Bespoke sizes		

## TECHNICAL DATA

Fuel option	Galio Insert		Galio Corten	
	Natural gas (G20/G25)	LPG (G30/G31)	Natural gas (G20/G25)	LPG (G30/G31)
Nominal Heat Input (Hi) [kW]	4,7-9,4	6,3-11,8	4,7-9,4	6,3-11,8
Gas consumption [m <sup>3</sup> /h]	0,5-1	-	0,5-1	-
Gas consumption [kg/h]	-	0,5-0,93	-	0,5-0,93
Gas pressure [mbar]	20	37	20	37
Interior	stainless steel		CASING: corten steel + tempered glass BURNER: stainless steel	
Dimensions	1027 mm x 230 mm x 260 mm		1140 mm x 350 mm x 500 mm	

## OPTIONS



GALIO CORTEN



GALIO INSERT



Galio Insert (Custom)





Galio Insert (Custom)



Galio Corten (Standard)



Galio Corten (Standard)

# GALIO

## OUTDOOR FIRE PIT



Galio Fire Pit Insert (Custom)



# GALIO FIRE PIT

C U S T O M   A N D   S T A N D A R D

## FEATURES

For outdoor use  
Easy installation  
Flame height regulation  
Round-shape burner

LPG/NG powered  
Safety sensor  
No electrical connection required  
CE certified

Bespoke sizes  
Easy start button  
Smart Home System compatible

Wi-Fi (mobile device control)  
Remotely controlled

## TECHNICAL DATA

Fuel option	Galio Fire Pit Insert		Galio Fire Pit Corten	
	Natural gas (G20/G25)	LPG (G30/G31)	Natural gas (G20/G25)	LPG (G30/G31)
Nominal Heat Input (HI) [kW]	2,4-4,7	2,5-5,1	2,4-4,7	2,5-5,1
Gas consumption [m <sup>3</sup> /h]	0,25-0,5	-	0,25-0,5	-
Gas consumption [kg/h]	-	0,2-0,4	-	0,2-0,4
Gas pressure [mbar]	20	37	20	37
Interior	stainless steel		CASING: corten steel BURNER: stainless steel	
Dimensions	450 mm x 246 mm		950 mm x 350 mm	

## OPTIONS



GALIO FIRE PIT CORTEN



GALIO FIRE PIT INSERT





Galio Fire Pit Insert (Custom)



Galio Fire Pit Corten (Standard)

# PRODUCT COMPARISON

## ADDITIONAL OPTIONS AND FUNCTIONS

	VALENTINO	MONROE	VERSAL	SINATRA
FLUE SYSTEM	BALANCED 200/130	BALANCED 200/130	CONVENTIONAL	CONVENTIONAL
ANTI-REFLECTIVE GLAZING	STANDARD	STANDARD	-	OPTIONAL
NO GLASS ENCLOSURE	-	-	-	STANDARD
BLACK CERAMIC GLASS (REAR LINING)	OPTIONAL	OPTIONAL	OPTIONAL	OPTIONAL
BRICK PANEL (REAR LINING)	-	OPTIONAL	OPTIONAL	OPTIONAL
LED LIGHTING	-	-	-	OPTIONAL
AMBIENT LIGHTING	-	-	STANDARD	-
CERAMIC LOGS + VERMICULITE	STANDARD	STANDARD	STANDARD	OPTIONAL
CRYSTAL DIAMOND EMBERS	-	-	-	OPTIONAL
BLACK DIAMOND STONES	STANDARD	-	-	OPTIONAL
WHITE PEBBLES	STANDARD	-	-	OPTIONAL
BLACK GLASS EMBERS	-	-	-	OPTIONAL
CHILD LOCK	STANDARD	STANDARD	STANDARD	STANDARD
ECO FLOW MODE	STANDARD	STANDARD	STANDARD	STANDARD

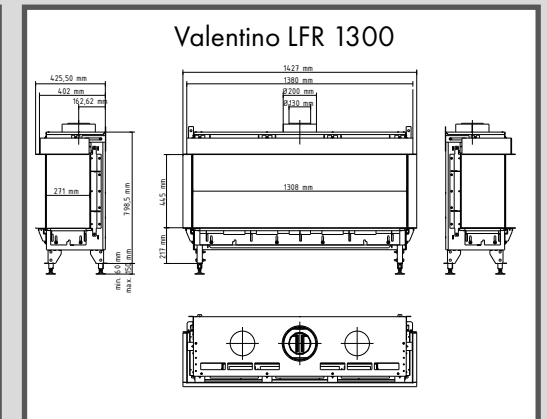
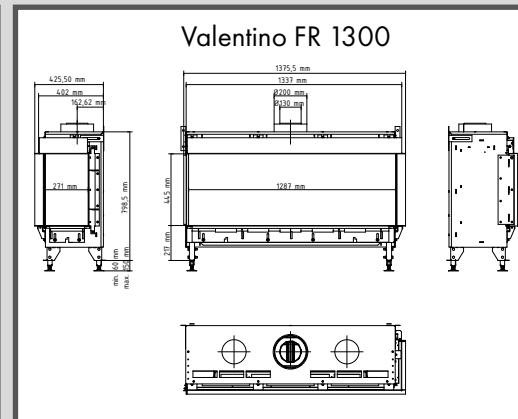
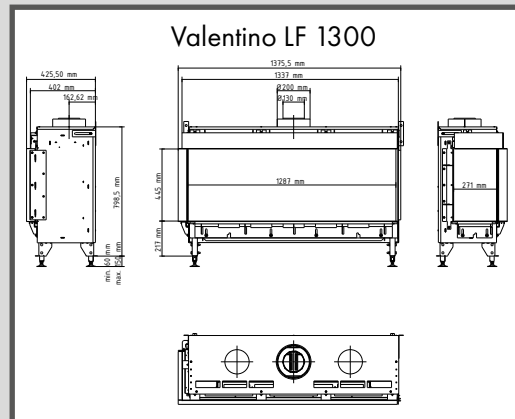
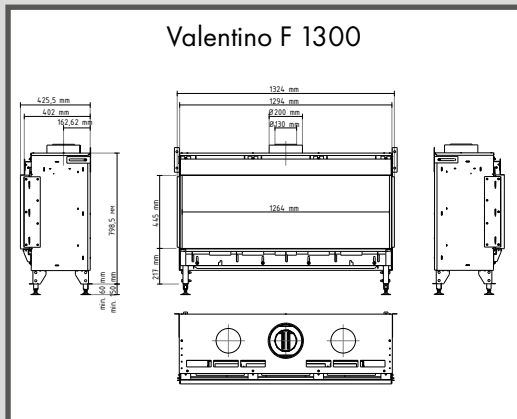
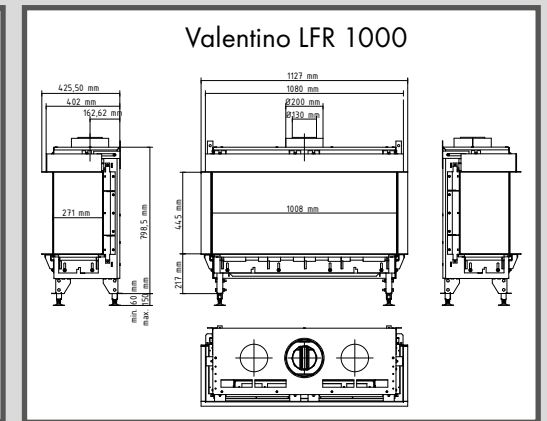
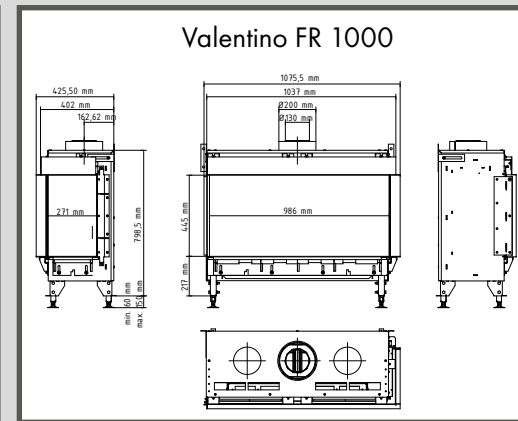
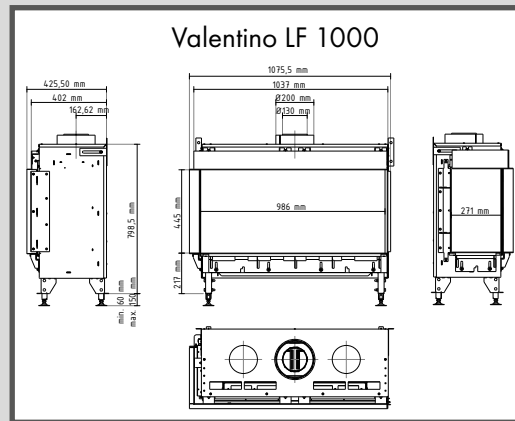
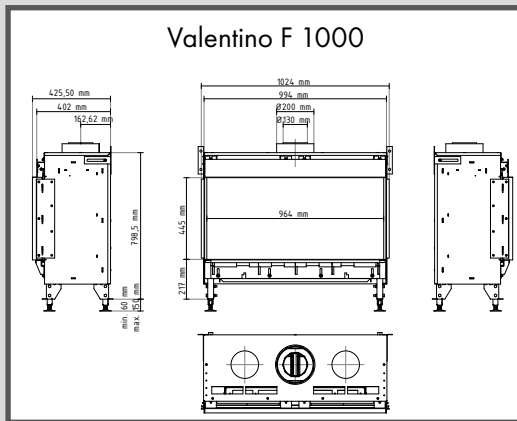
# PRODUCT COMPARISON

## ADDITIONAL OPTIONS AND FUNCTIONS

	VALENTINO	MONROE	VERSAI	SINATRA
THERMOSTAT	STANDARD	STANDARD	-	-
SMART HOME SYSTEM COMPATIBILITY	STANDARD	STANDARD	STANDARD	STANDARD
REMOTE CONTROL	STANDARD	STANDARD	STANDARD	STANDARD
WI-FI AND SERVICE REMINDER	OPTIONAL	OPTIONAL	OPTIONAL	OPTIONAL
CO SENSOR	STANDARD	STANDARD	STANDARD	STANDARD
GAS SENSOR	STANDARD	STANDARD	STANDARD	STANDARD
SEISMIC ACTIVITY SENSOR	STANDARD	STANDARD	-	-
BURNER	1 CENTRAL & 2 SIDE BURNERS	1 UPPER & 1 LOWER	1 CENTRAL	MUTIPLE, DEPENDING ON LENGTH
WALL BRACKET	-	-	OPTIONAL	-
WOODBBOX	-	-	OPTIONAL	-
GASBOX	-	-	OPTIONAL	-
HEAT INFLECTOR	STANDARD	STANDARD	-	-
CUSTOMIZATION	-	-	-	AVAILABLE
CONVECTIONAL FAN	-	-	STANDARD	-

# VALENTINO

## TECHNICAL DRAWINGS

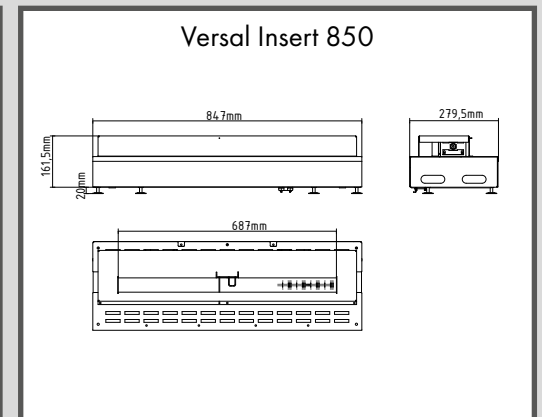
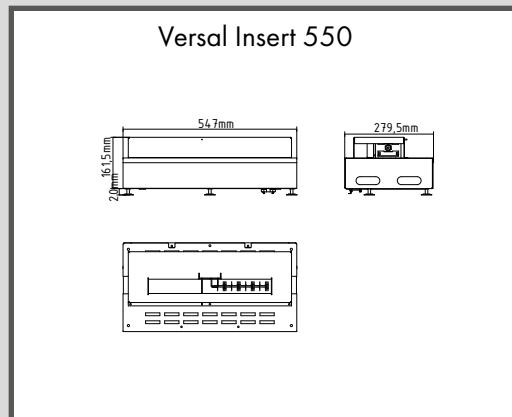
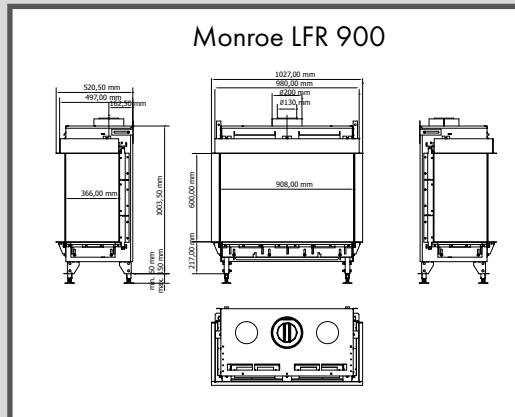
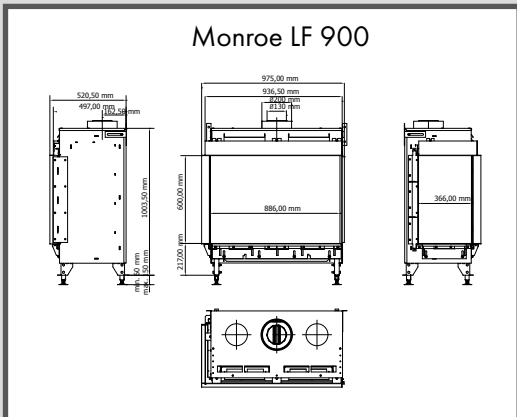
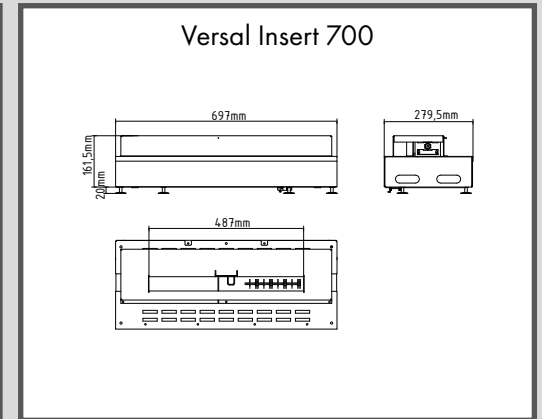
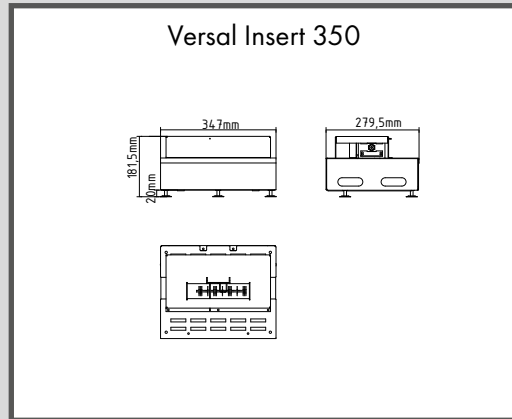
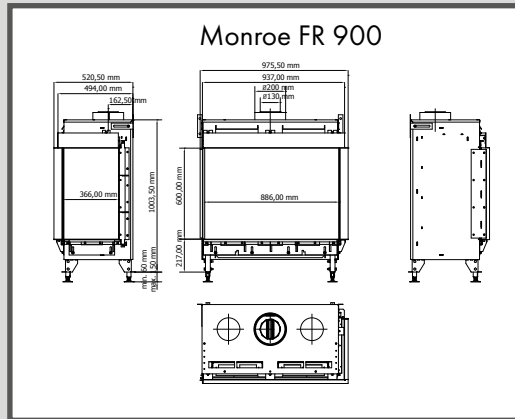
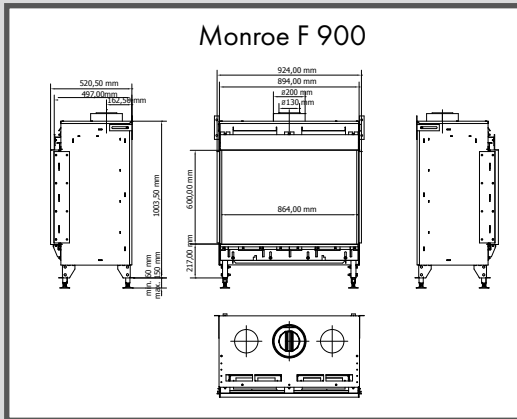


# MONROE

TECHNICAL DRAWINGS

# VERSAL INSERT

TECHNICAL DRAWINGS



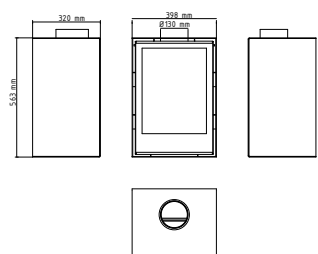
# VERSAL FREESTANDING/CASSETTE

TECHNICAL DRAWINGS

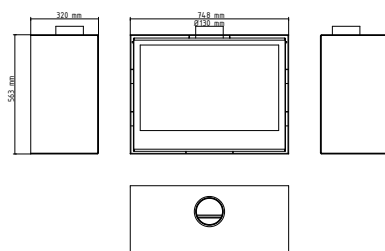
# VERSAL WOODBOX

TECHNICAL DRAWINGS

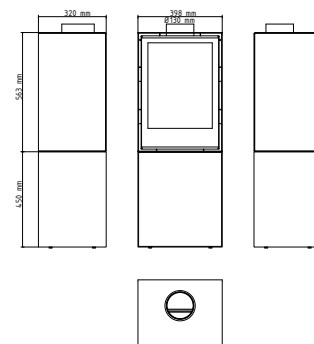
Versal 400



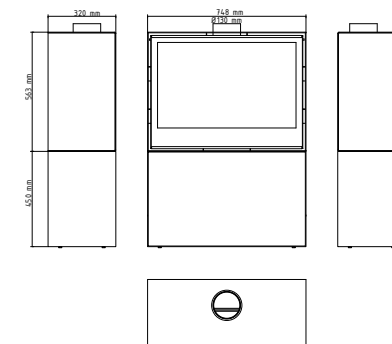
Versal 750



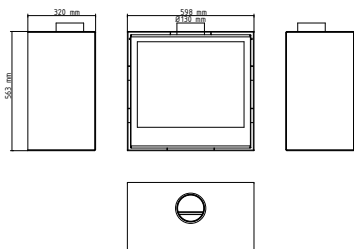
Versal 400 with Woodbox



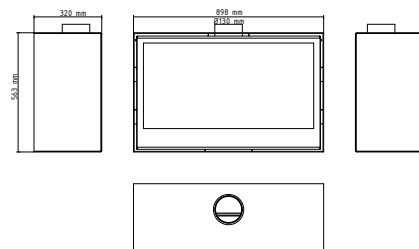
Versal 750 with Woodbox



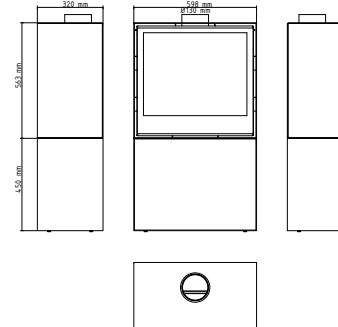
Versal 600



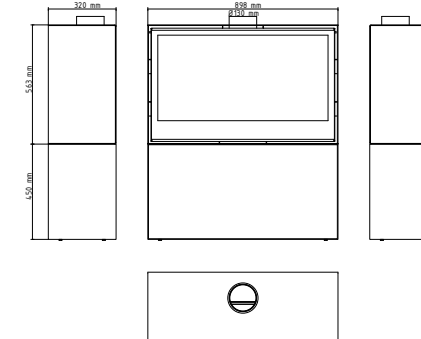
Versal 900



Versal 600 with Woodbox



Versal 900 with Woodbox



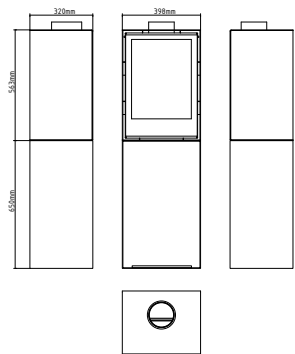
# VERSAL GASBOX

TECHNICAL DRAWINGS

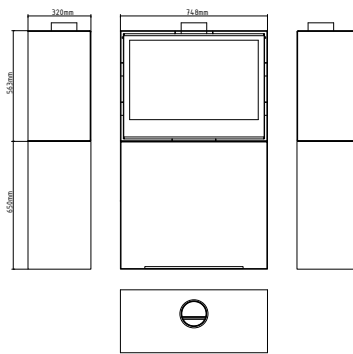
# OUTDOOR

TECHNICAL DRAWINGS

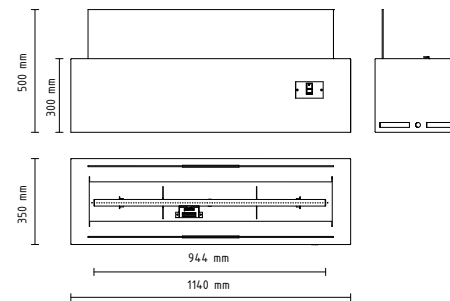
### Versal 400 with Gasbox



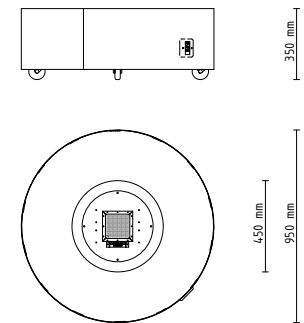
### Versal 750 with Gasbox



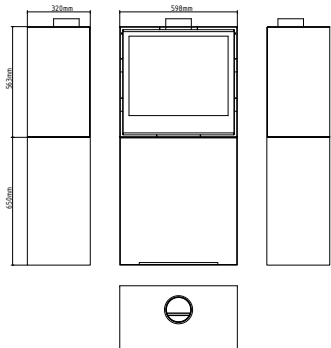
### Galio Corten



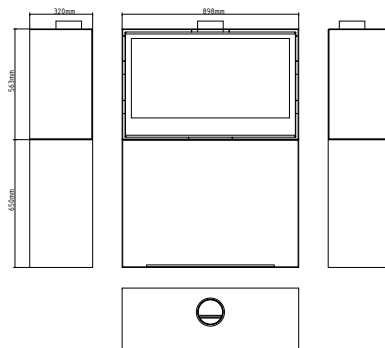
### Galio Fire Pit Corten



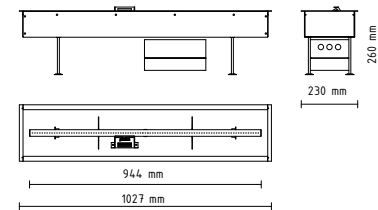
### Versal 600 with Gasbox



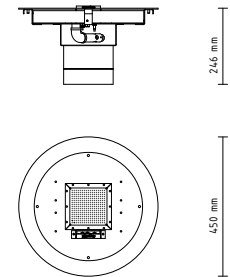
### Versal 900 with Gasbox



### Galio Insert



### Galio Fire Pit Insert







**PLANIKA USA LLC**

1 Ackerman Avenue  
Clifton, NJ 07011  
Tel: (201) 933 7787  
Fax: +1 201 933 7741  
[www.planikausa.com](http://www.planikausa.com)  
[info@planikausa.com](mailto:info@planikausa.com)

**PLANIKA Sp. z o.o.**

ul. Bydgoska 38  
86-061 Brzoza, Poland  
Tel: +48 52 364 11 60  
Fax: +48 52 364 11 70  
[www.planikafires.com](http://www.planikafires.com)  
[planika@planikafires.com](mailto:planika@planikafires.com)

**DESIGNED  
IN USA** 

planika  
INTELLIGENT FIRE

---

PLANIKA USA LLC  
1 Ackerman Avenue  
Clifton, NJ 07011  
T: (201) 933 7787  
F: +1 201 933 7741  
[www.planikausa.com](http://www.planikausa.com)  
[info@planikausa.com](mailto:info@planikausa.com)

PLANIKA - Production Plant Poland  
Bydgoska 38  
86-061 Brzoza, Poland  
T: +48 52 364 11 60  
F: +48 52 364 11 70  
[www.planikafires.com](http://www.planikafires.com)  
[planika@planikafires.com](mailto:planika@planikafires.com)